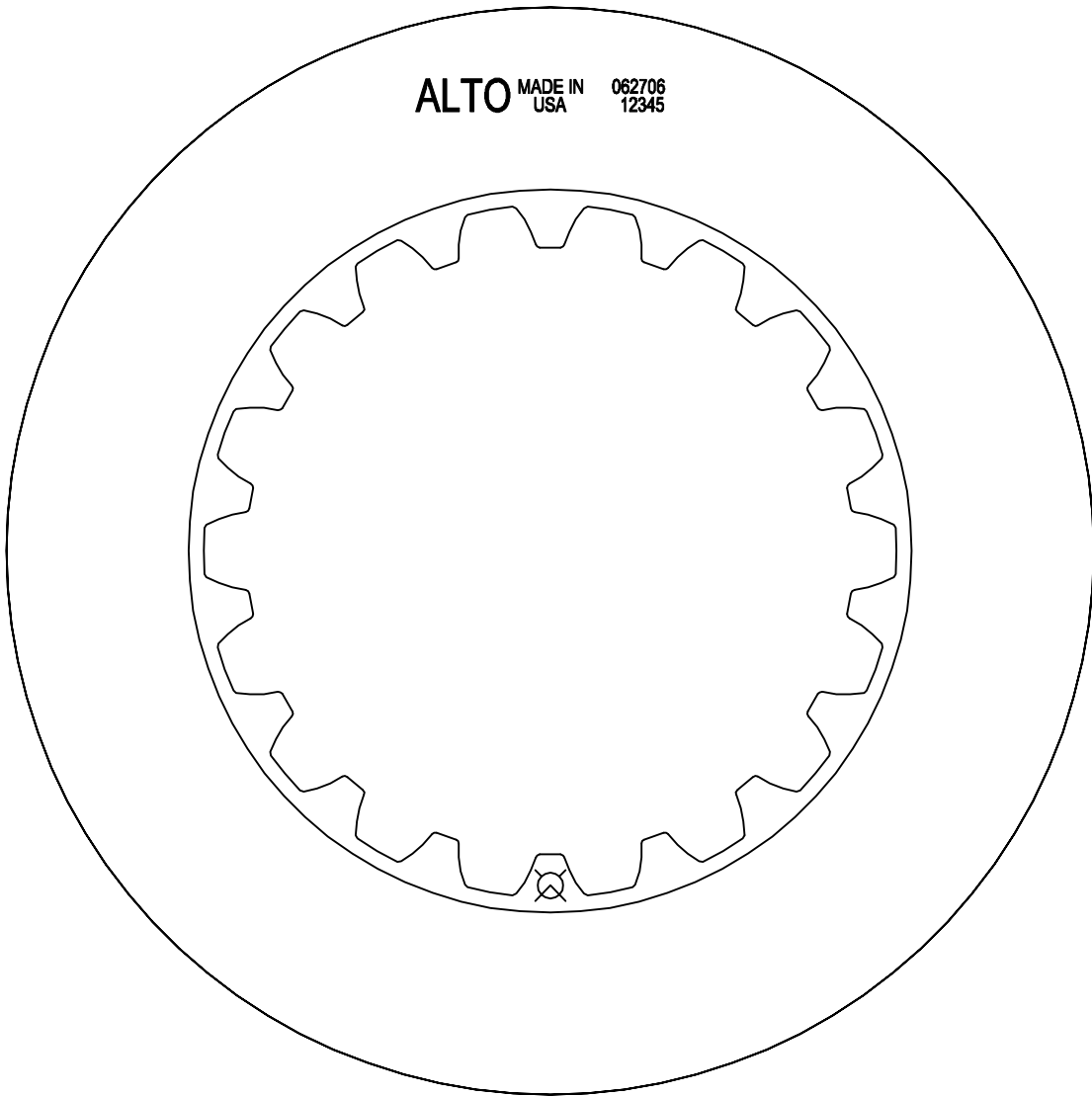


ALTO MADE IN USA 062706
12345



CLUTCH PLATE INFORMATION

NUMBER OF TEETH	18
OUTSIDE DIAMETER [METRIC]	5.312 [134.92]
INSIDE DIAMETER [METRIC]	2.967 [75.36]
FRICTION COLOR	GRY
OVERALL THICKNESS [METRIC]	.080 [2.03]
SCALE	1:1

APPLICATION

FR TH440T4 4TH 83-84

NOTES:

- 1.
- 2.

ALTO PRODUCTS CORP.
One Alto Way
Atmore, AL 36504
PH: (251)-368-7777
FAX: (251)-368-7774
www.AltoUSA.com

PART NUMBER
062706
REV: A