

Features & Benefits

- Made from Anodized Billet Aluminum
- Dual seal "Teflon/D-Ring" design provides superior sealing capability

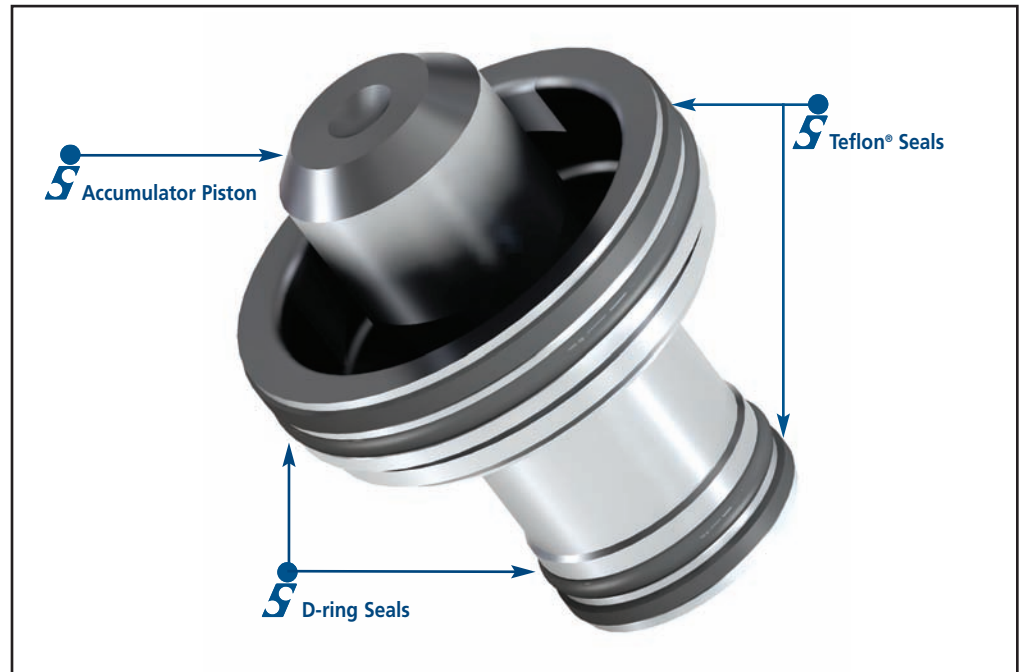
Accumulator Piston Kit

Part No.

22841-04K

- 1 Accumulator Piston
- 2 Teflon[®] Seals
- 2 D-ring Seals

CHRYSLER 727, 904, 42-46-47-48RH/RE



Part Summary:

OE plastic accumulators are prone to breaking and have poor sealing qualities. Metal rings currently offered with aftermarket accumulators have issues with sealing as well. Sonnax now offers **22841-04K**, with a dual seal Teflon[®]/D-ring accumulator piston. The Teflon[®] seal will prevent piston to bore contact, the D-ring seal will vastly improve sealing compared to steel rings currently offered by the aftermarket.