

## COMPLAINT

Planetary wear or failure

## CAUSE

Insufficient lube oil and/or excessive clearances.

## CORRECTION

This kit offers replacement parts for rebuilding damaged rear planet assemblies and gives rebuilders the option of replacing only the worn components.

## Rear Planetary Rebuild Kit

### 77732-RK For 5-Pinion Planets

5 Pinion Gears  
5 Pinion Pins  
100 Rollers  
10 Washers (round)  
10 Tri-metal Washers

### 77732-02

Pinion Pin Kit-5 Pins

**Note:** The solid pins can be used to service 4-pinion planets with solid pins.

### 77732-03

100 Needle Rollers

### 77732-04

10 Round Washers

### 77732-05

10 Tri-metal Washers

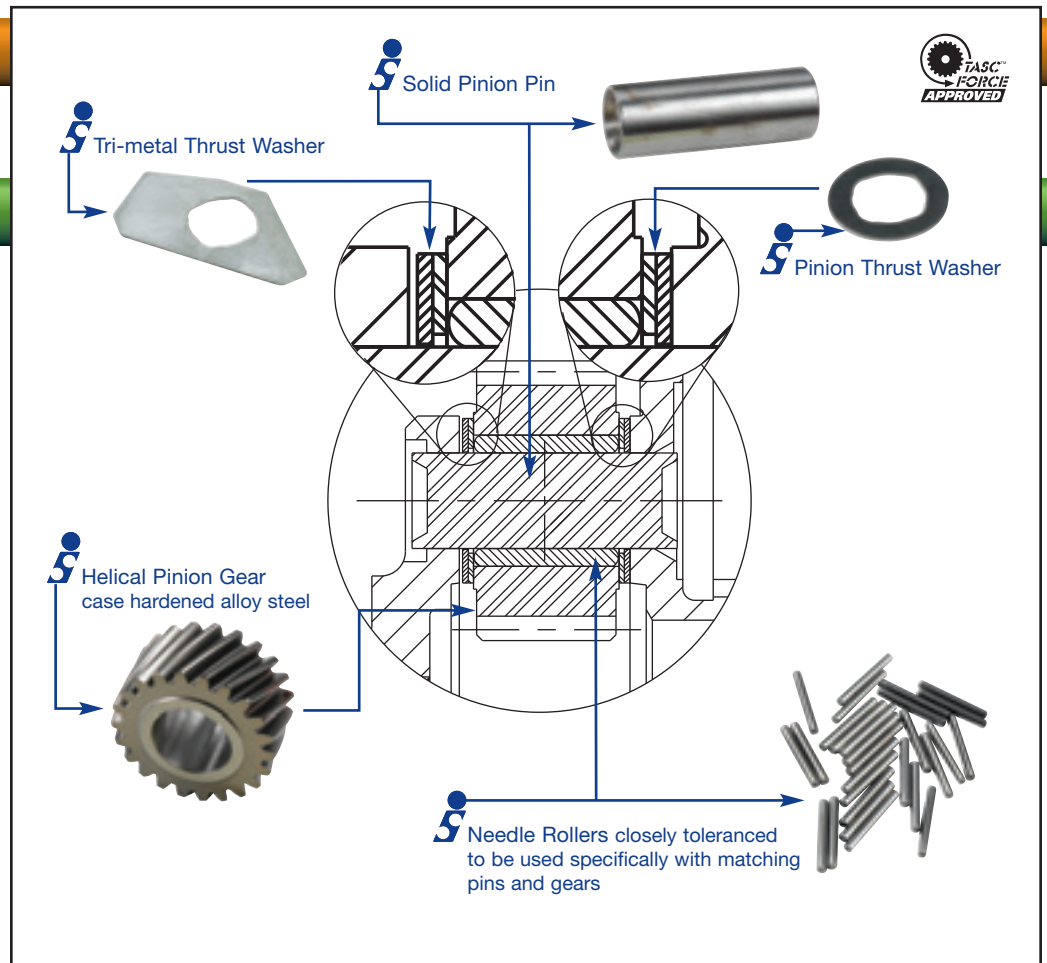
Also Available

### 77731-01

1 Pinion Gear

### 77731-09

Captured Planetary Bearing



### Sonnax Part Summary

The rear planetary assembly in 4L65-E transmissions frequently wears out and must be replaced. New replacement assemblies can be costly, and the availability of quality aftermarket assembly component parts are limited. Planetary assembly wear is generally caused by insufficient lube oil and/or excessive clearances. Lack of lube causes excessive heat in the pinion gear area and causes the roller bearings to gall the gear bores and pinion pins. If there is excessive thrust washer wear or endplay, the roller bearings can run without fully contacting the gear bore, causing premature failure of the assembly. Sonnax now offers replacement parts necessary for rebuilding damaged rear planetary assemblies in the 77732-RK rebuild kit.

### Features & Benefits

- Kit can be combined with 77731-09 planetary bearing for a complete planetary rebuild.
- Individual components can be purchased separately.